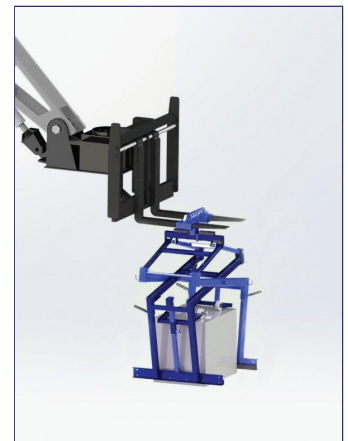
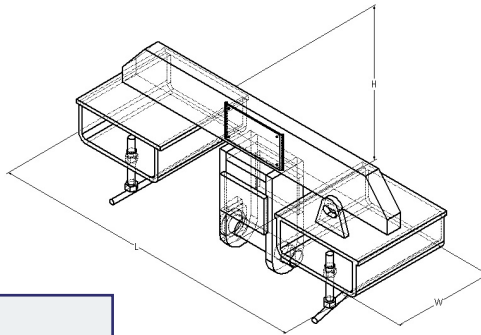


Block Grab Fork Attachment



Skylift Forklift Attachment enables our Block Grab to be used with forklift or telehandler. The fork attachment is easy to be mounted or detached with the block grab as they are all made by Skylift. We designed and manufactured our products as per the international standard and safety measures with taking in consideration client' requirement and product cost. Using Skylift Block Grab with its Fork Attachment while operating with forklift or telehandler will reduce the swing of the load, as it will be safer and faster to use within the project.

Optional



**OUR LIFTING
PRODUCTS**
CERTIFIED BY



MODEL	CAP. (Kg)	DIMENSIONS (mm)			WEIGHT (Kg)
		W	H	L	
SKL 220 F	2000	200	290	640	30