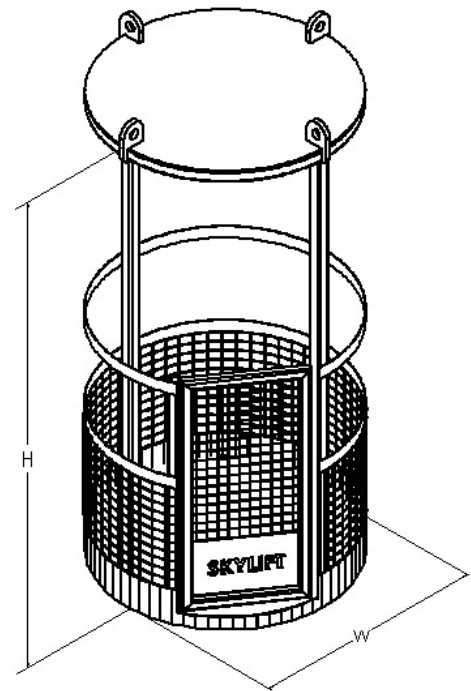


Lifting Man Basket



Skylift lifting man basket can be used to transport people within the project or to give them access in a confined area along with their tools or their soft equipment. We produce different models of man baskets for different requirements. The Well-made basket constructed with high-quality materials and our standard features are: Four Top Pad Eyes, Worker Tool Tray to secure hand tools while operating and hand rails on the sides. The Rubber rollers and the two fork pockets under the basket are optional. Skylift Lifting Man Basket designed and manufactured according to the BS EN 14502-1, BS EN ISO 10855, TUVSUD-SOP-25 international standards.



OUR LIFTING
PRODUCTS
CERTIFIED BY



MODEL	DIMENSIONS (mm)	CAPACITY (Kg) Safe Working Load	WEIGHT (Kg)
SKL 100 PB	Ø 1000 * 2000h	200	155

www.skylift-me.com

