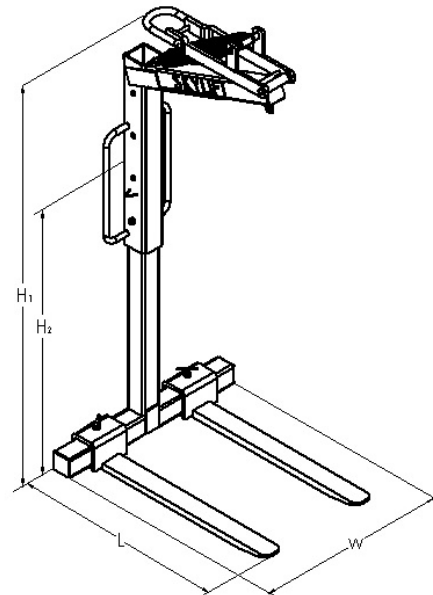


Self Levelling Forks



Skylift Self Levelling Forks. Automatic weight compensation by compression spring, Adjustable fork width, maintenance-free, Available with Safety Net or Safety Cage for highest safety majors. **Skylift** designed and manufactured according to the **UNI EN 13155, UNI EN ISO 12100, UNI EN 349, UNI ISO 8686** and **UNI EN 10204** international standards.



**OUR LIFTING
PRODUCTS**
CERTIFIED BY



MODEL	CAPACITY (Lt)	DIMENSIONS (mm)									WEIGHT (Kg)
		A	B	C	D	E	F	G	L	M	
SKL 1000 SLF	1000	1000	1000	300	1000	1450	700	1000	25	90	131
SKL 1500 SLF	1500	1000	1000	300	1000	1600	700	1000	30	90	155
SKL 2000 SLF	2000	1000	1000	300	1200	1800	700	1000	35	100	170
SKL 2500 SLF	2500	1000	1000	300	1200	1800	700	1000	35	120	240
SKL 3000 SLF	3000	1000	1000	300	1200	1800	700	1000	35	120	250

www.skylift-me.com

