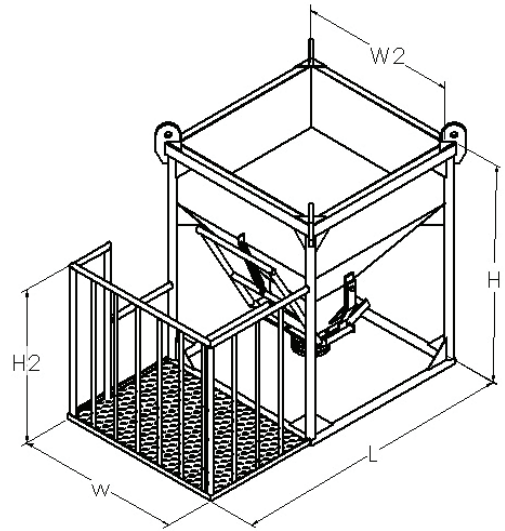


Upright Concrete Skips



Skylift Upright Concrete Skip has funnelled opening for easy concrete pouring with lever discharge mechanism to control the discharge, equipped with 4 lifting points for high safety. This type can also come with a steering wheel to enable better control of the concrete discharging. The skip can come with or without man platform/forklift pockets as per client's requirement. It is supplied with a flexible hose 2-meter length. The discharge gate is made of abrasive high resistance steel to improve its lifetime. Skylift Upright Concrete Skip is designed and manufactured according to the UNI EN 13155, UNI EN ISO 12100, UNI EN 349, UNI ISO 8686 and UNI EN 10204 international standards.

**OUR LIFTING
PRODUCTS**
CERTIFIED BY



MODEL	CAPACITY .(LT)	CAPACITY . (kg)	DIMENSIONS (mm)					WEIGHT (Kg)
			L	W	W2	H	H2	
SKL 500 BLB	500	1250	1750	960	900	1350	1000	230
SKL 750 BLB	750	1875	2000	1100	1000	1400	1000	260
SKL 1000 BLB	1000	2500	2100	1240	1200	1500	1000	300
SKL 1500 BLB	1500	3750	2400	1400	1300	1800	1000	400
SKL 2000 BLB	2000	5000	2500	1550	1450	1900	1000	450

www.skylift-me.com

